

FIG.1 (PRIOR ART)

FIG.1A

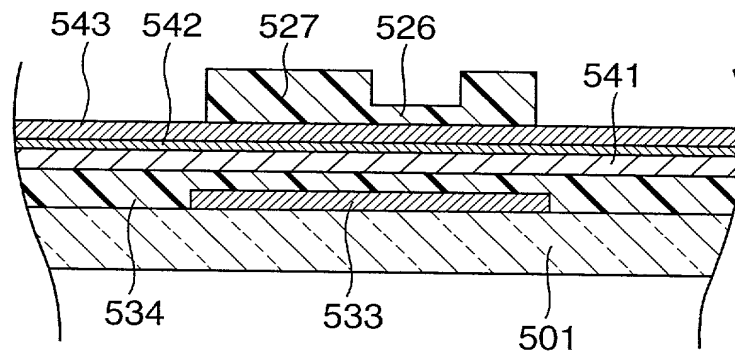
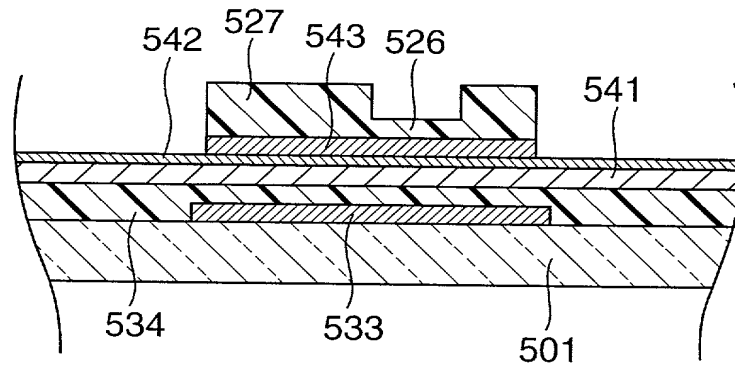


FIG.1B



### FIG.2 (PRIOR ART)

FIG.2A

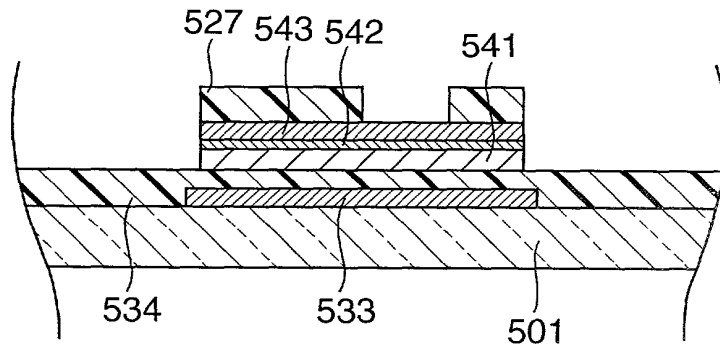
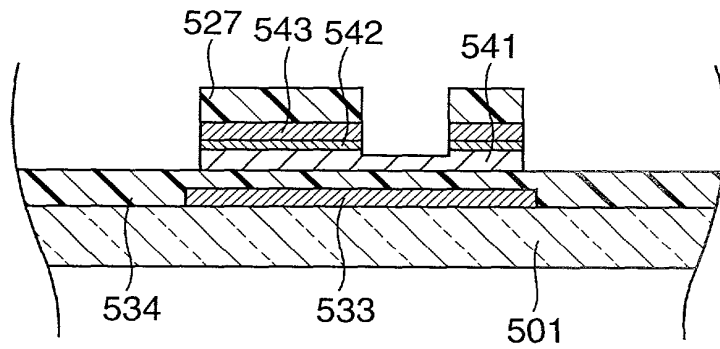


FIG.2B



### FIG.3 (PRIOR ART)

FIG.3A

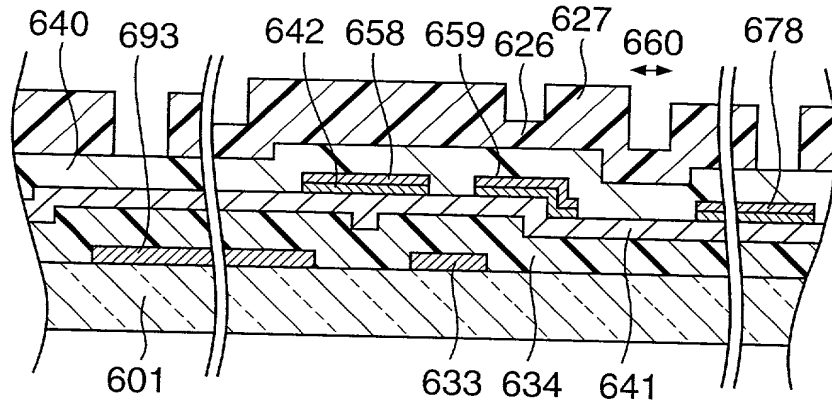


FIG.3B

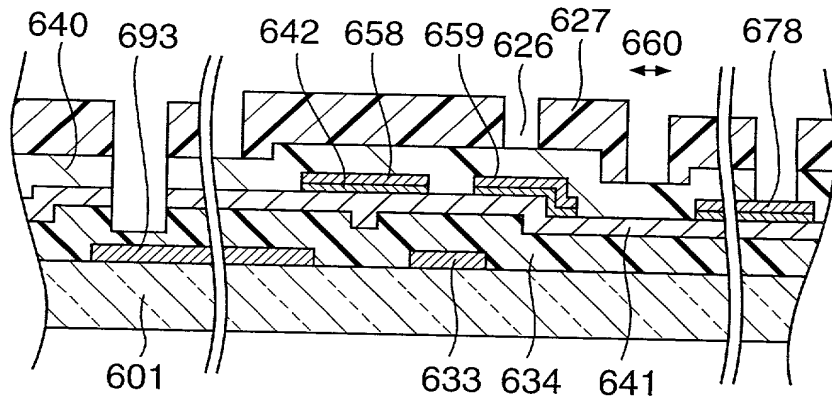


FIG.3C

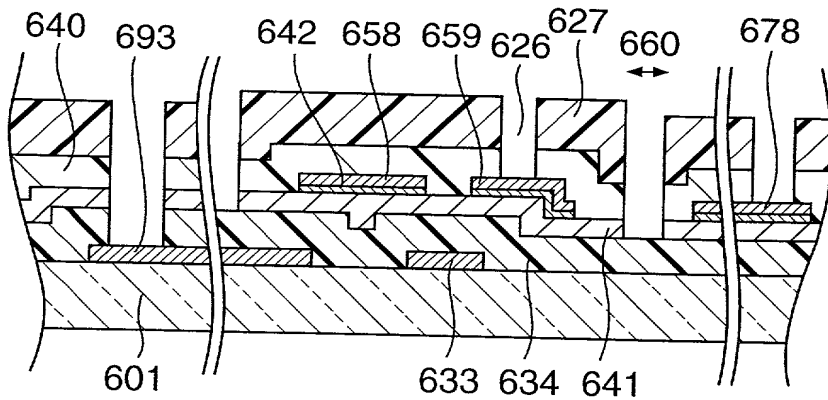


FIG.4A

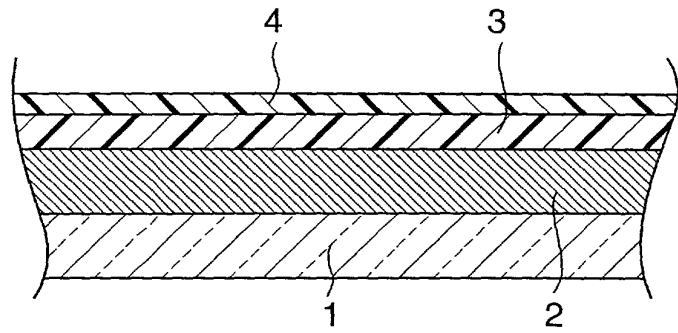


FIG.4B

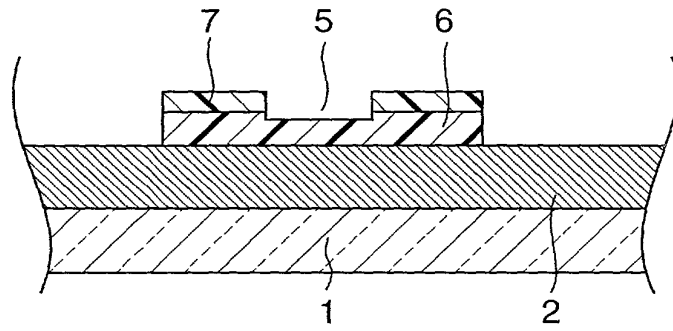
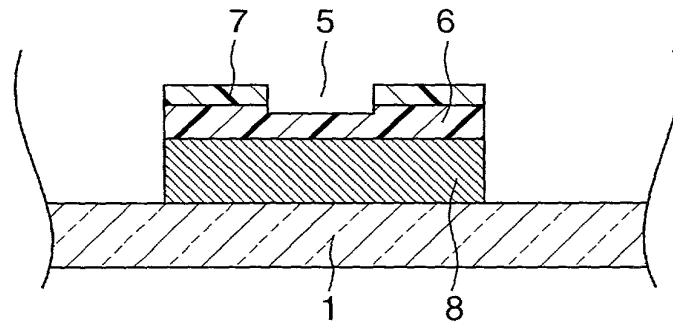


FIG.4C



20220729

FIG.5A

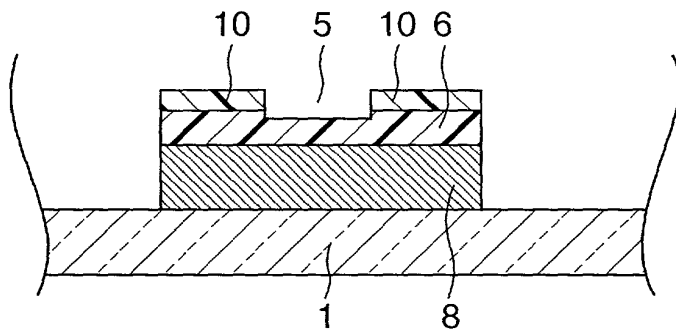


FIG.5B

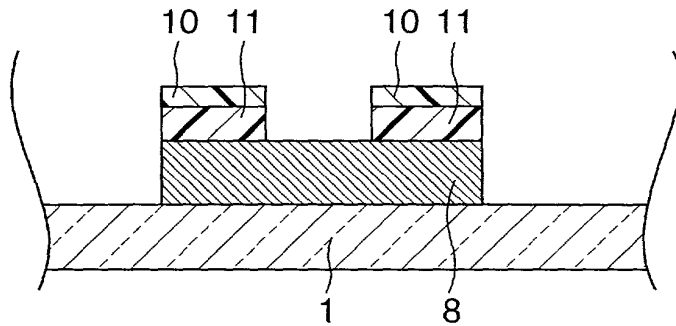
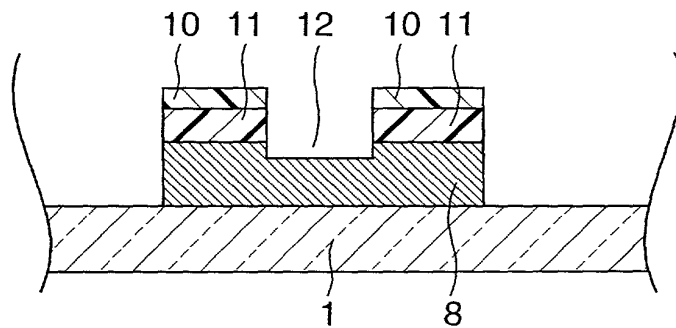


FIG.5C



20220728-18007

FIG.6A

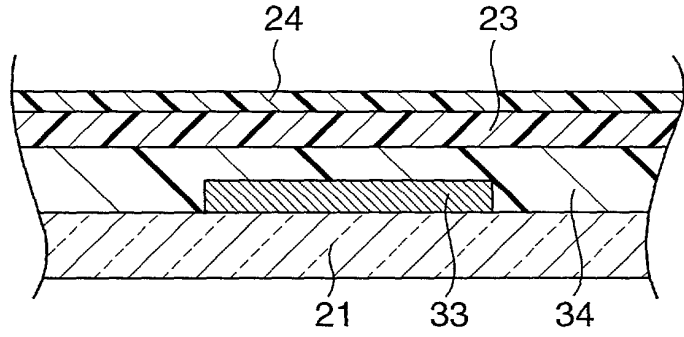


FIG.6B

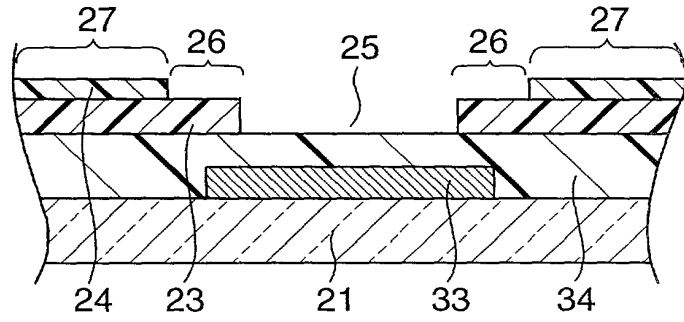
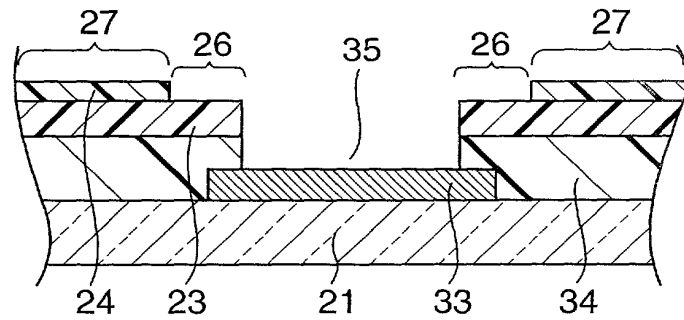


FIG.6C



20250420 10:44:48

FIG.7A

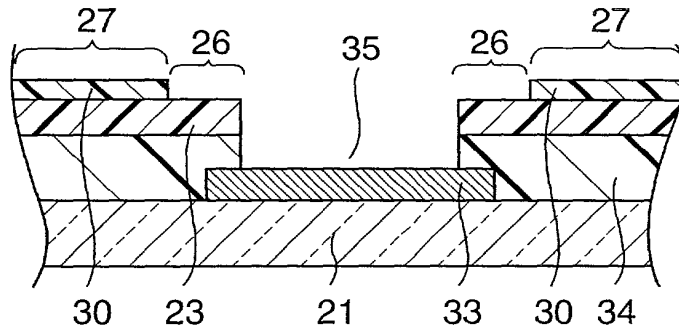
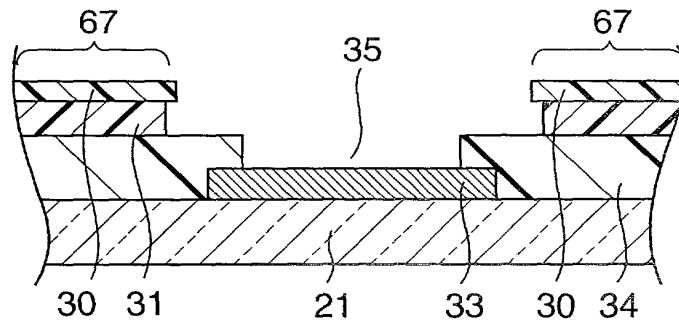


FIG.7B



20250120 "SHOOT"

FIG.8A

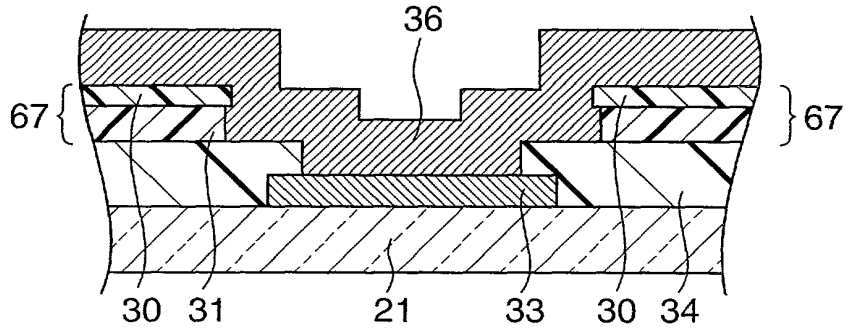
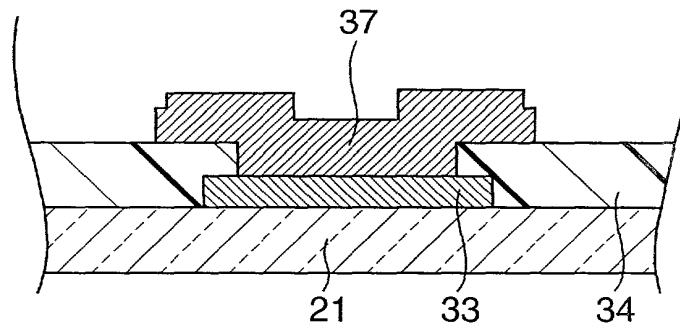


FIG.8B



20250308



FIG. 9A

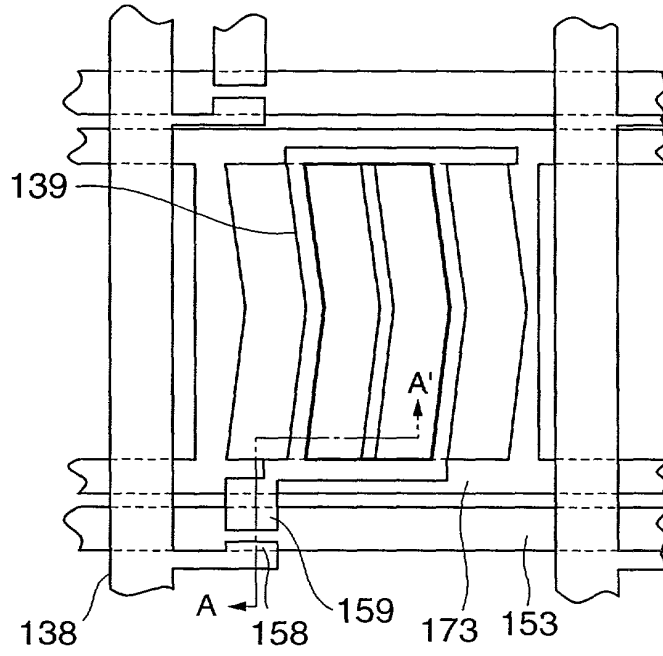
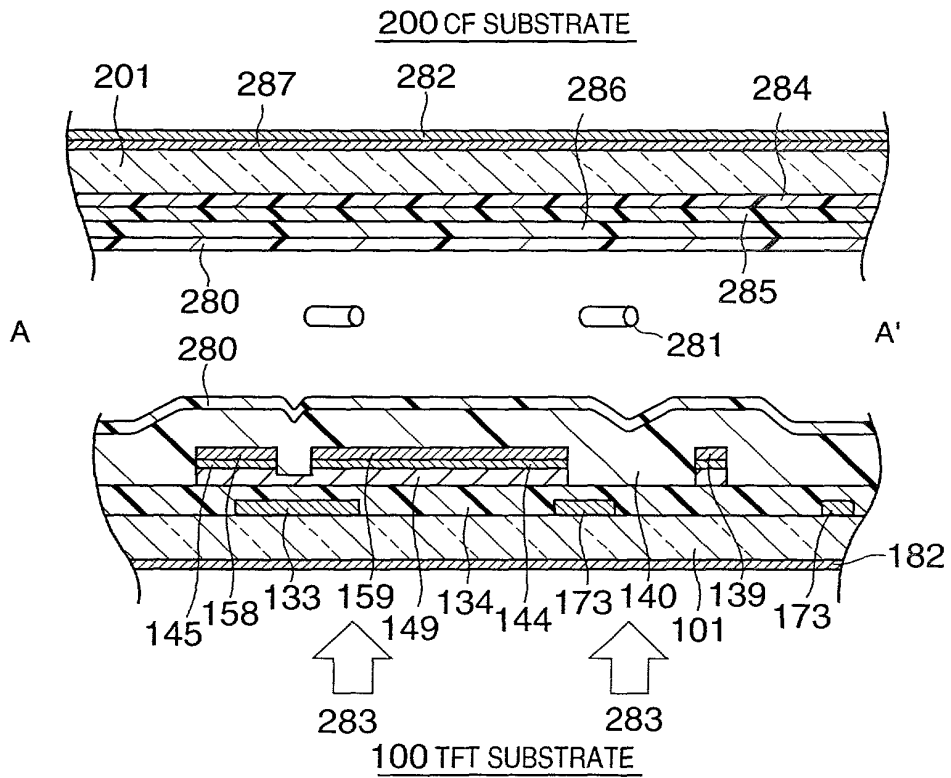


FIG. 9B



205220 84848007

FIG. 10A

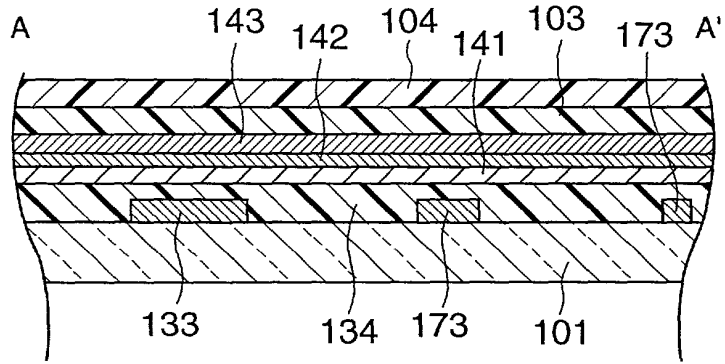


FIG. 10B

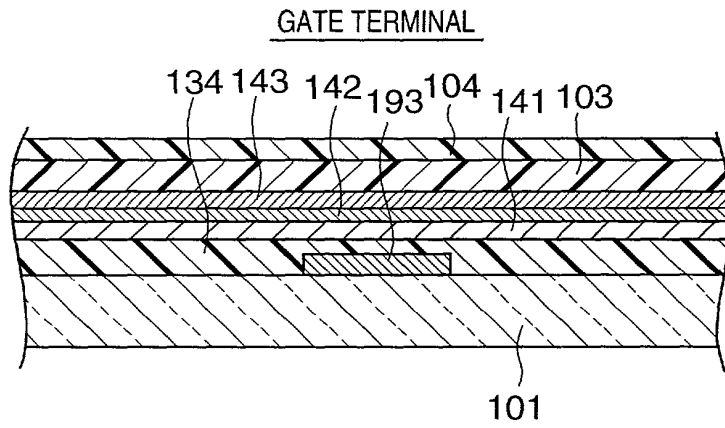
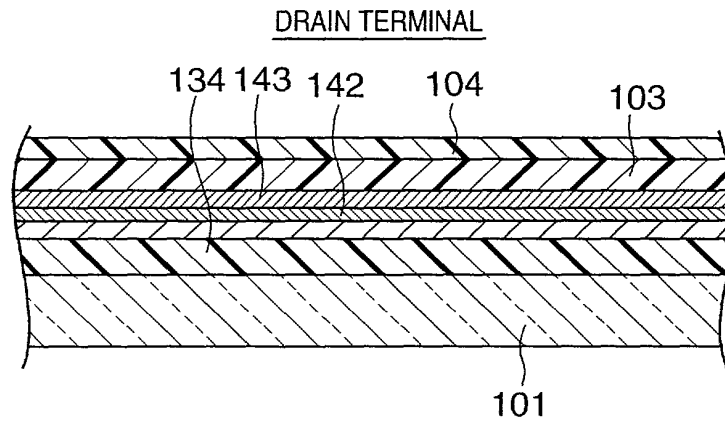


FIG. 10C



20250101

FIG. 11A

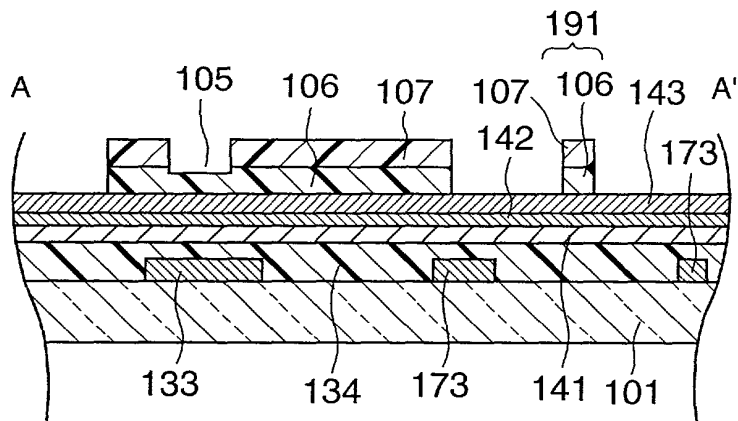


FIG. 11B

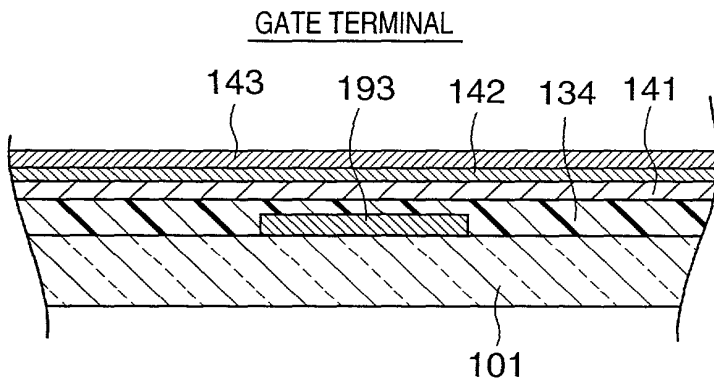
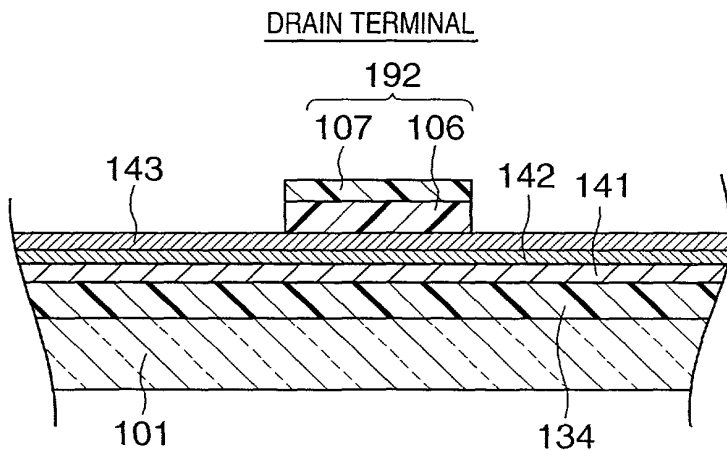


FIG. 11C



202208280001

FIG. 12A

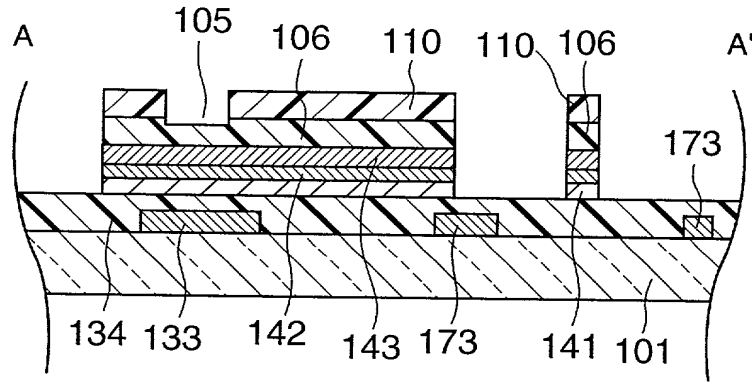


FIG. 12B

GATE TERMINAL

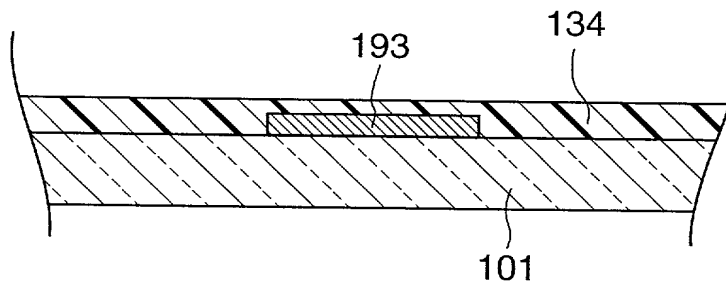


FIG. 12C

DRAIN TERMINAL

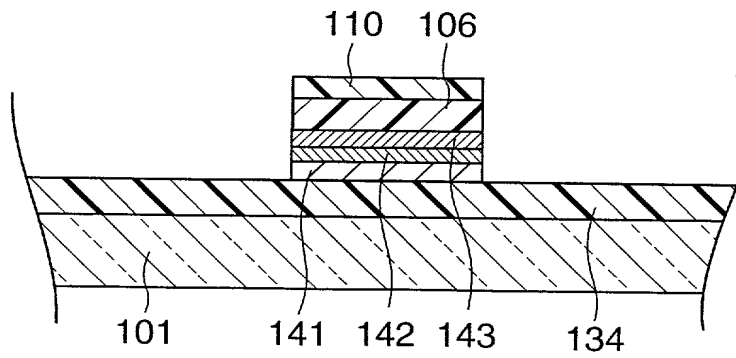


FIG. 13A

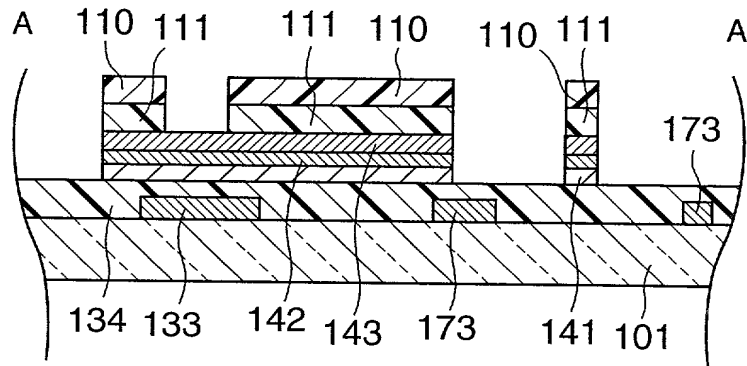


FIG. 13B

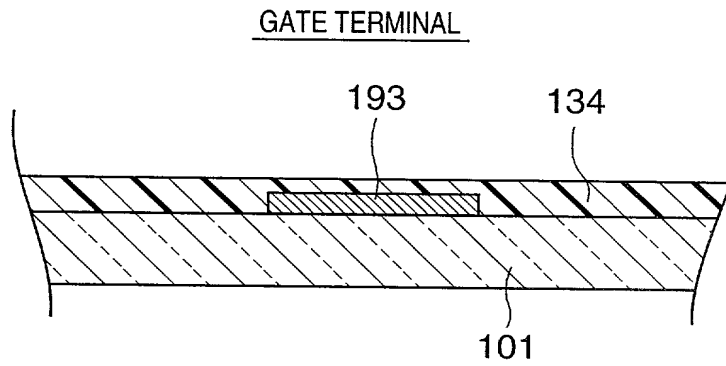


FIG. 13C

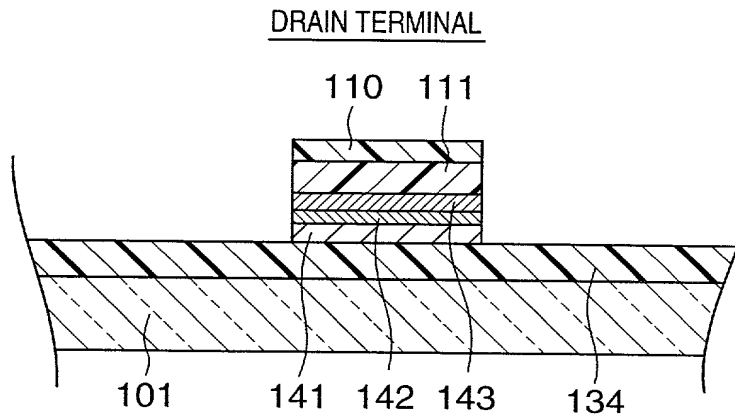


FIG. 14A

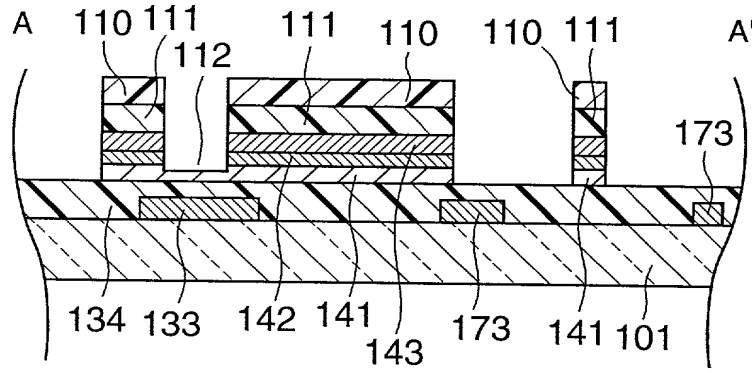


FIG. 14B

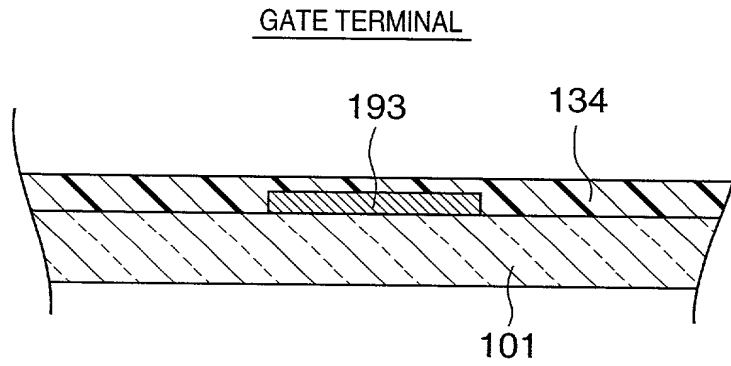


FIG. 14C

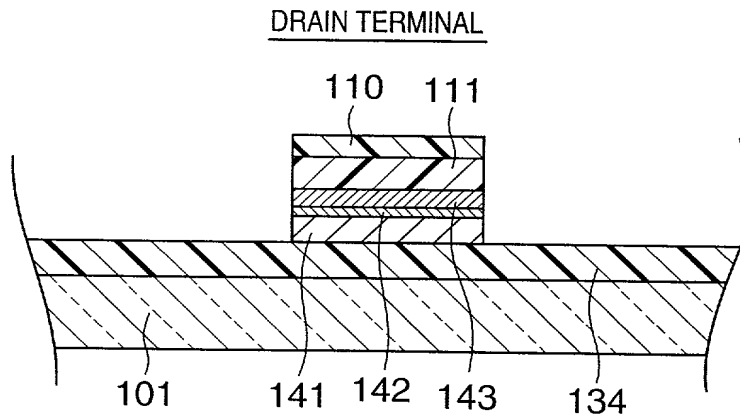


FIG. 15A

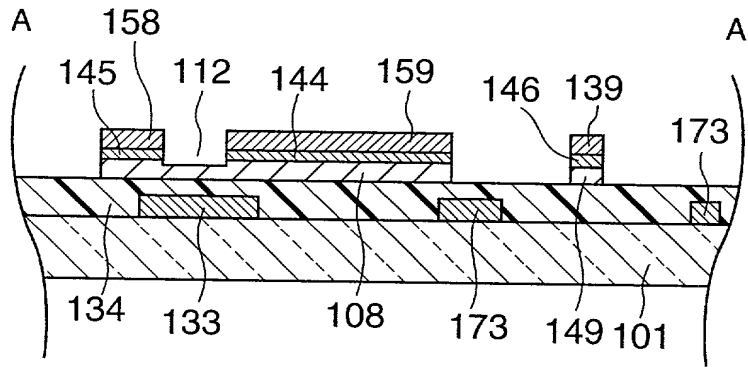


FIG. 15B

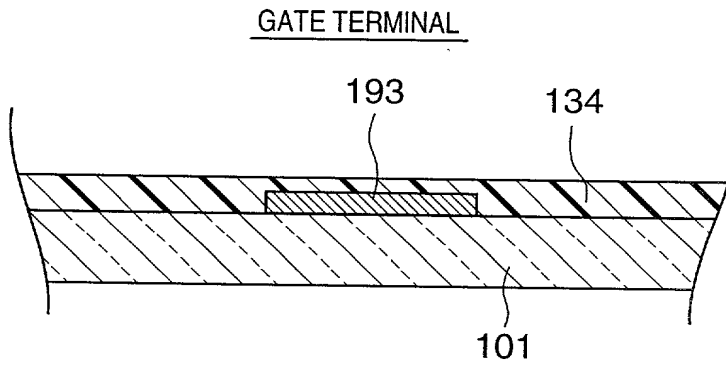


FIG. 15C

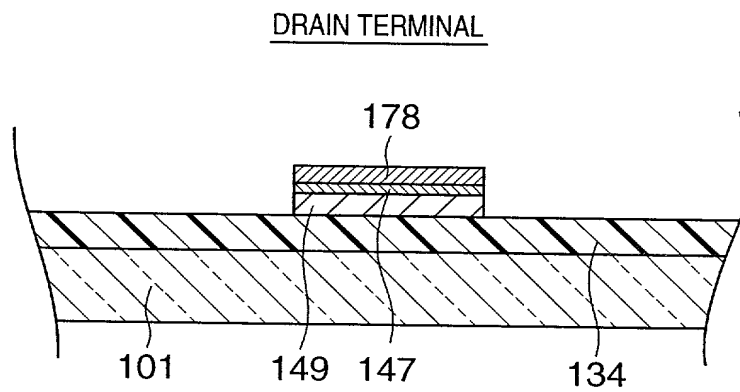


FIG.16A

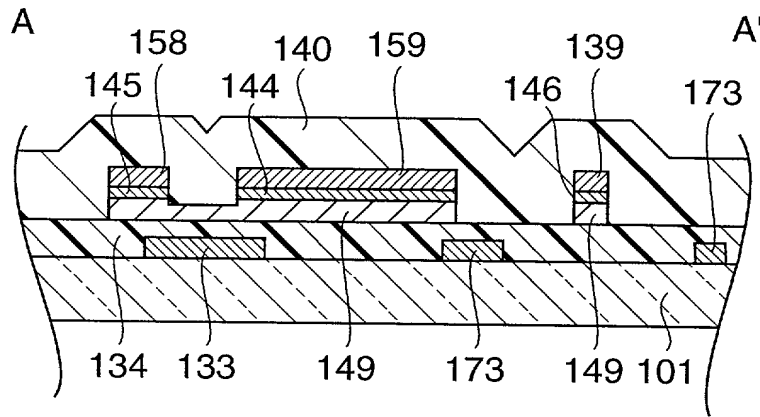


FIG.16B

GATE TERMINAL

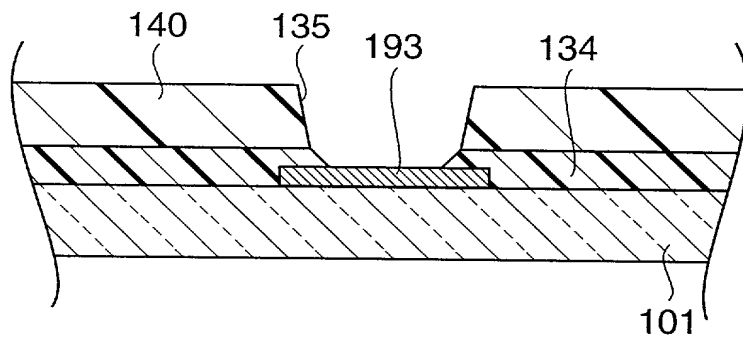
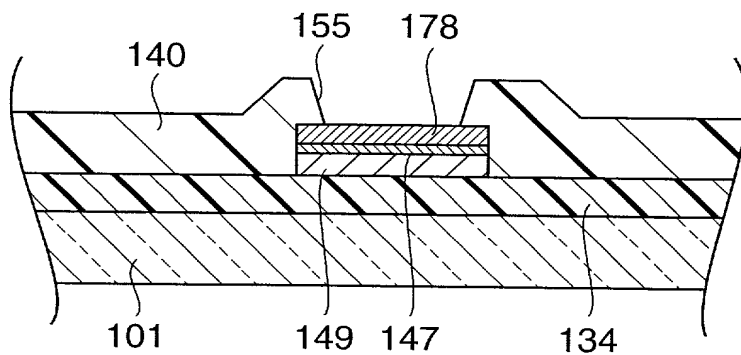


FIG.16C

DRAIN TERMINAL



205200 "SHOOT



FIG.17A

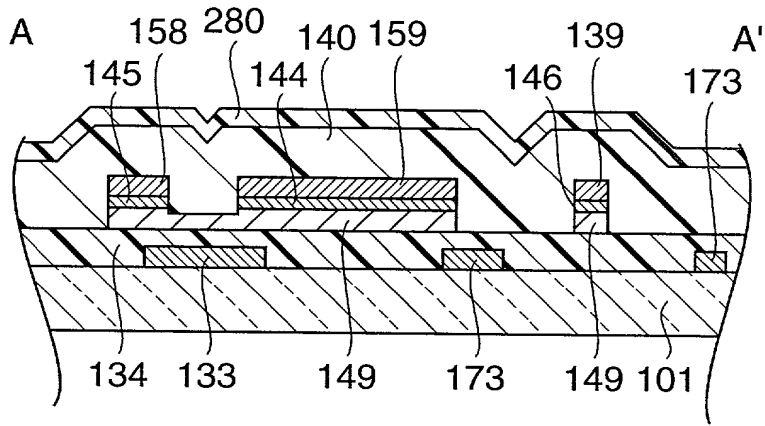


FIG.17B

GATE TERMINAL

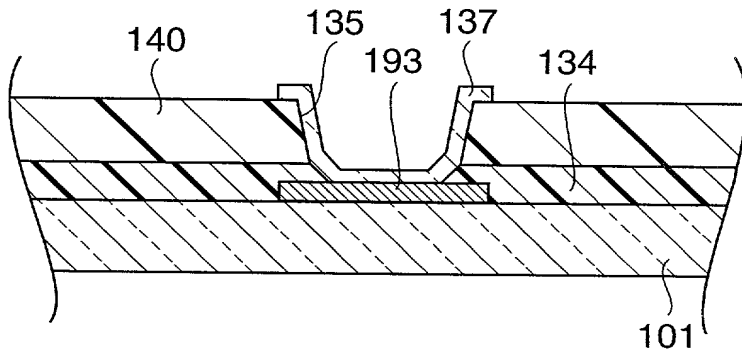


FIG.17C

DRAIN TERMINAL

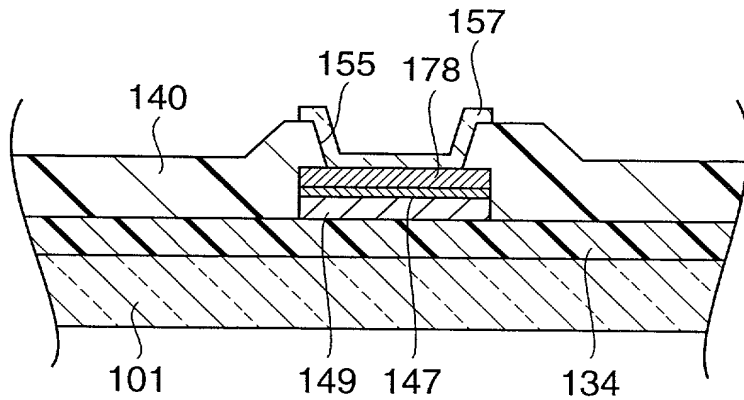


FIG.18A

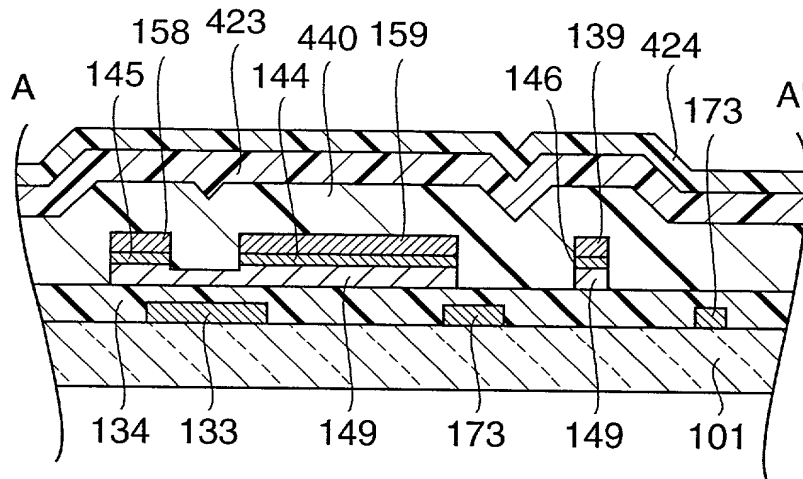


FIG.18B

GATE TERMINAL

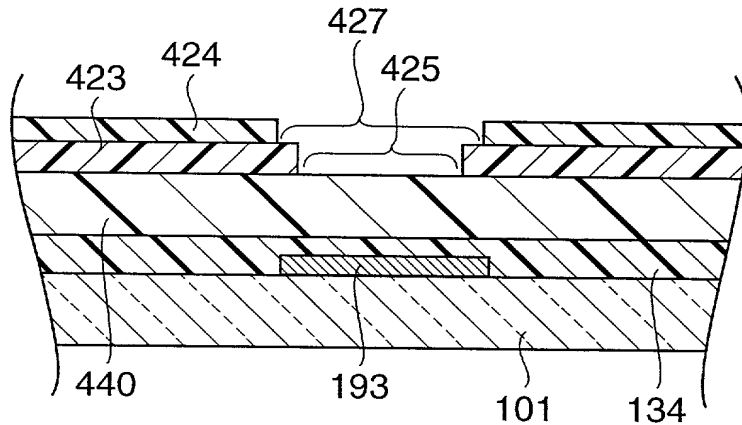
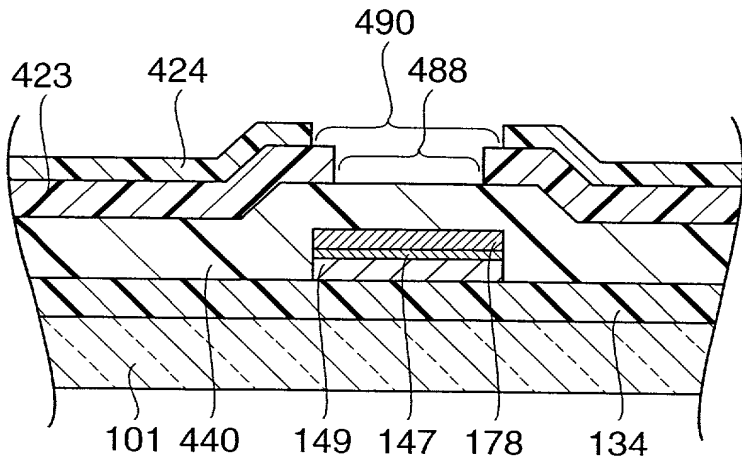


FIG.18C

DRAIN TERMINAL



205220 8483007

FIG.19A

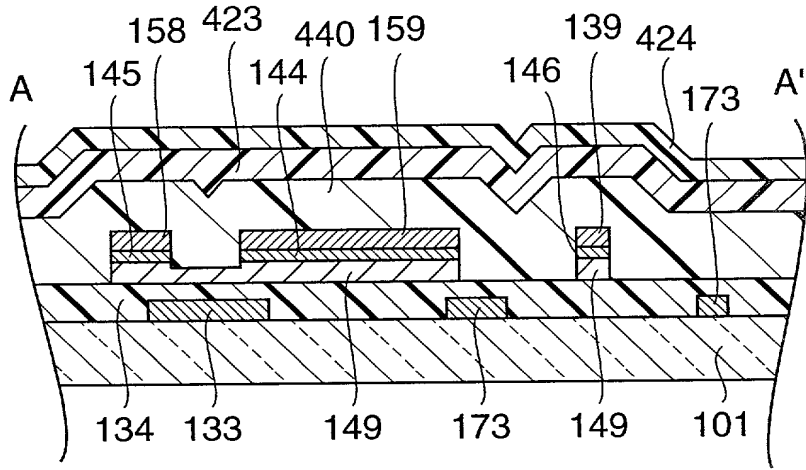


FIG.19B

GATE TERMINAL

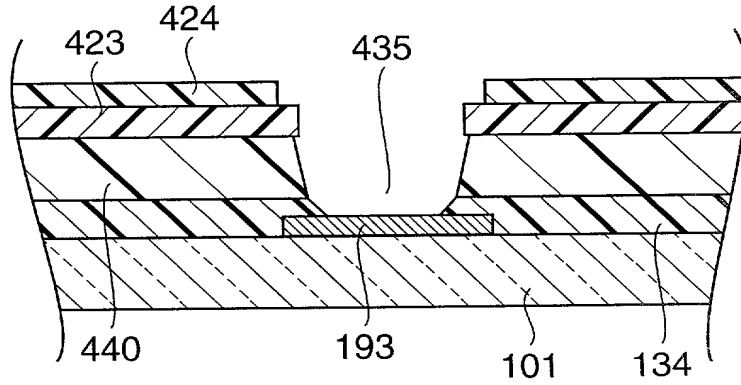


FIG.19C

DRAIN TERMINAL

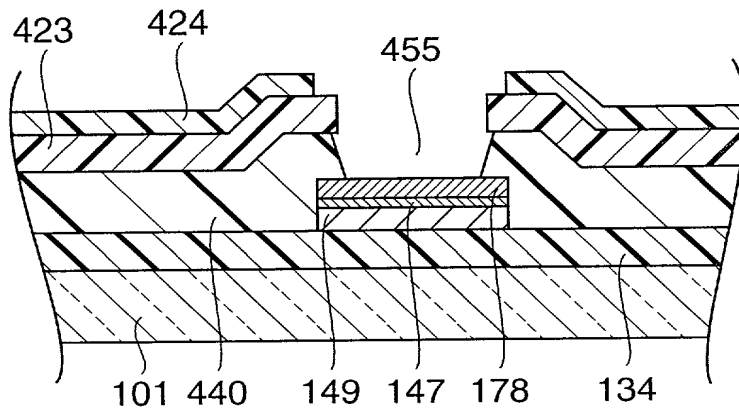


FIG.20A

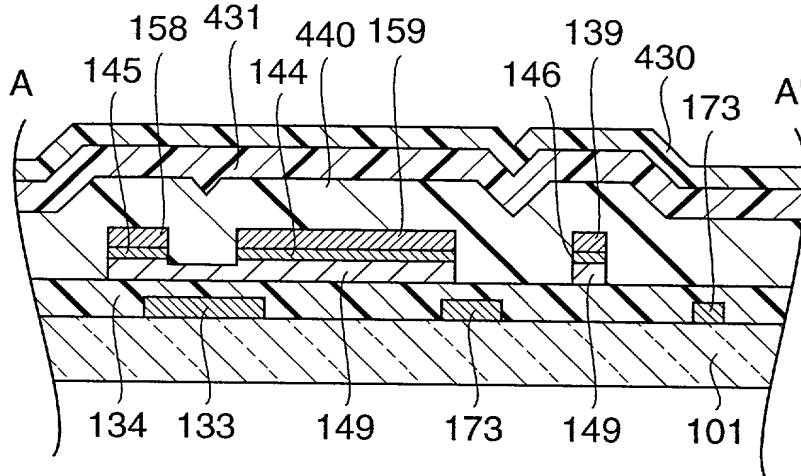


FIG.20B

GATE TERMINAL

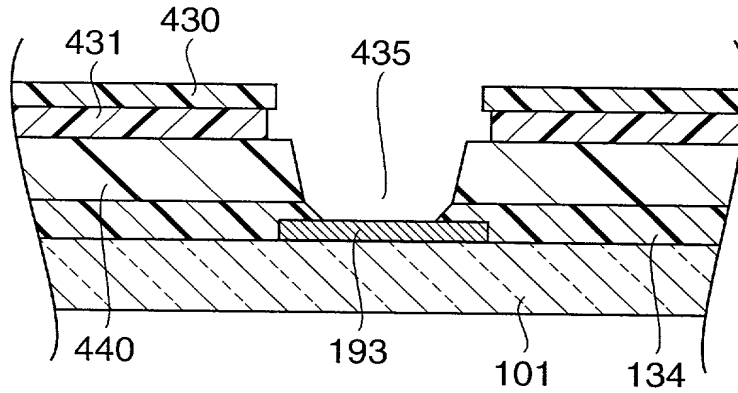
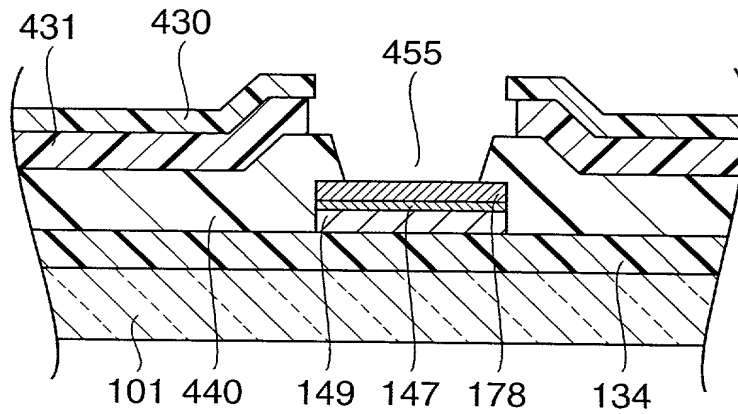


FIG.20C

DRAIN TERMINAL



205220 Sheet 20 of 20

FIG.21A

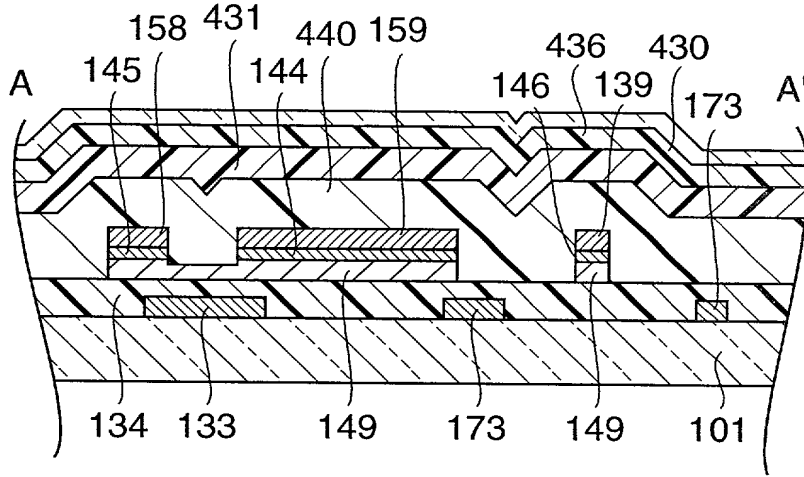


FIG.21B

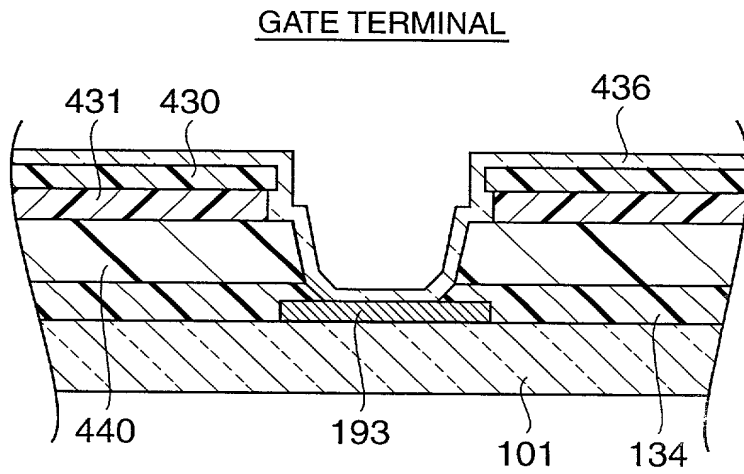


FIG.21C

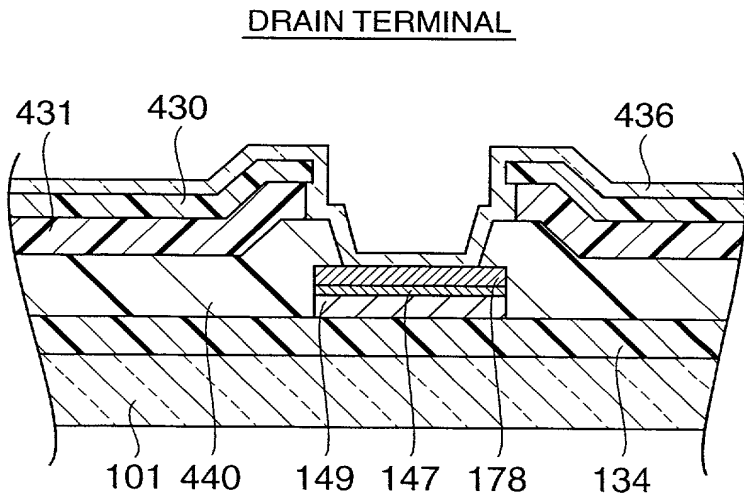


FIG.22A

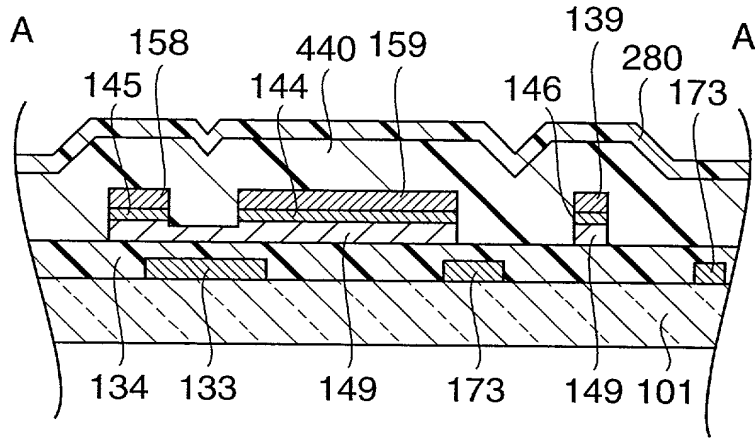


FIG.22B

GATE TERMINAL

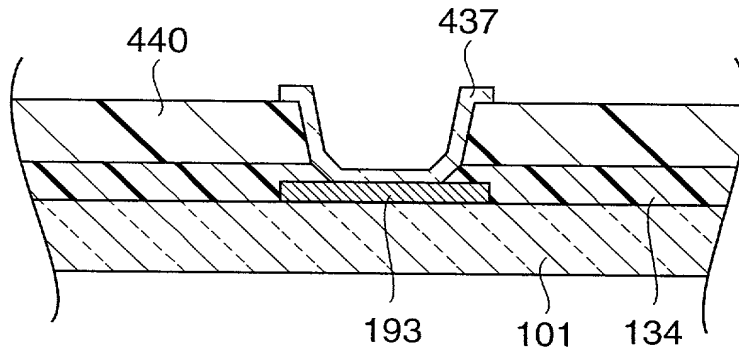
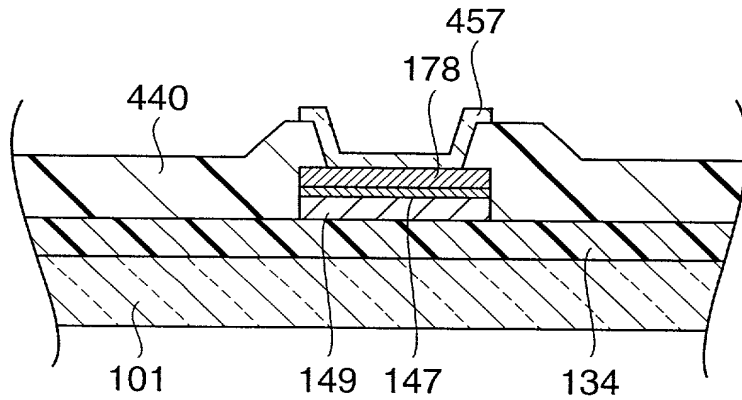


FIG.22C

DRAIN TERMINAL



20250120 21:48:07